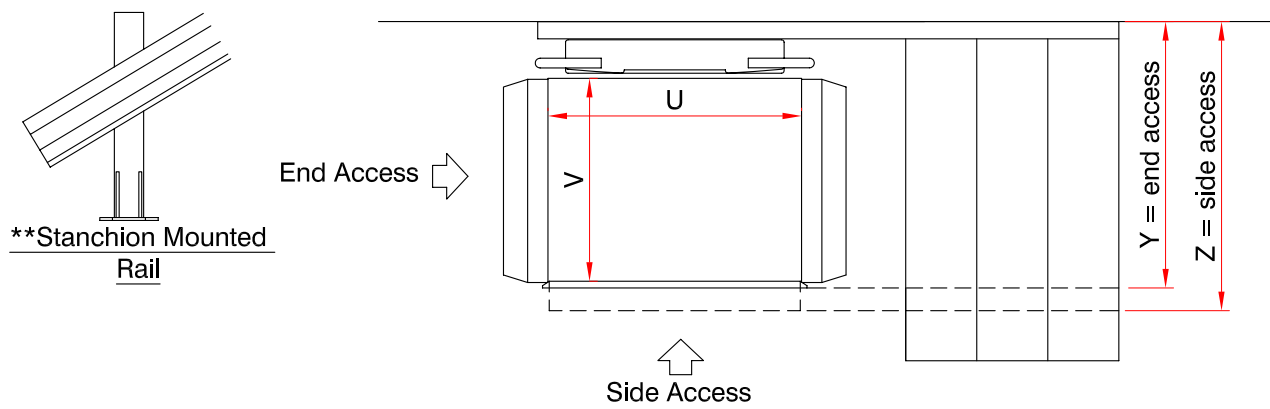
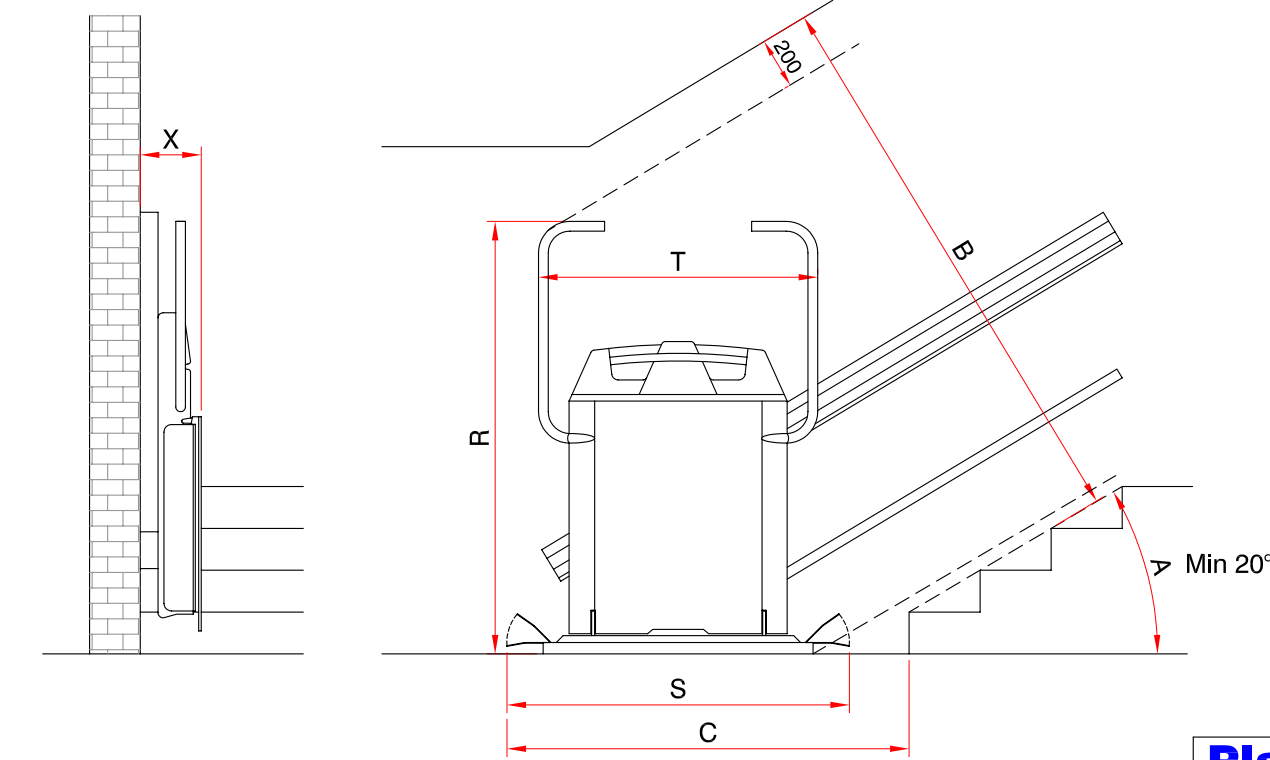


NOTE THIS DRAWING IS FOR GUIDANCE ONLY AND MUST NOT BE USED AS A PROPER WORKING DRAWING. FOR ENQUIRIES ABOUT THE LIFT PLEASE CONTACT THE **Platform Lift Co** - TEL 01256 896000



Angle	Headroom Clearance	1250 x 800 Platform Size	1000 x 800 Platform Size	950 x 780 Platform Size
A	B	C	C	C
20°	2000	2045	1795	1745
22°	2000	1980	1730	1680
25°	2000	1915	1665	1585
27°	2000	1870	1620	1570
30°	2000	1825	1575	1525
32°	2000	1790	1540	1490
35°	2000	1760	1510	1460
37°	2000	1740	1490	1440
40°	2000	1710	1460	1410
42°	2000	1690	1440	1390
45°	2000	1670	1420	1370



	1250 X 800	1000 X 800	950 X 780
R	1705	1705	1705
S	1600	1350	1300
T	1100	1100	1100
U	1250	1000	950
V	800	800	780
X	300**	300**	300**
Y	1050**	1050**	1030**
Z *	1140**	1140**	1120**

* = Additional side access ramp
 ** = +70mm for stanchion mounted rail

Stairiser Platform Specification

Load: 230kg / 1 wheelchair
 Drive: Rack and Pinion
 Speed: 0.01m / sec
 Travel: subject to survey
 Stops: 2
 Motor: 1.1kw
 Power: 240v 1ph 50Hz 10A
 Colour: RAL 7035 as standard
 (alternative RAL colours available)

Note - Platform carriage available as a left hand or right hand unit

<p>Apsley Barns, Apsley, Near Andover, Hants, SP11 6NA Tel - 01256 896000 Fax - 01256 896900 E-mail - info@platformliftco.co.uk website - www.platformliftco.co.uk</p>	TITLE		C7 Straight Rail Stairiser	
	DWG NO.		230 - C7 STAIRISER	
	SCALE	NTS	DATE	28/09/06
		DRAWN	RH	REV A